



# NFPA 285 ASSEMBLY REQUIREMENTS

- BC1 – CONTINUOUS GYPSUM CONDITION #1
- BC2 – CONTINUOUS GYPSUM CONDITION #2
- BD1 – DISCONTINUOUS GYPSUM CONDITION #1
- BD2 – DISCONTINUOUS GYPSUM CONDITION #2

© COPYRIGHT ACCELERATED BUILDING TECHNOLOGIES, LLC. (ABT), AS AN UNPUBLISHED WORK. ALL RIGHTS RESERVED. THESE DRAWINGS AND MATERIALS CONTAIN INFORMATION AND DESIGNS WHICH ARE CONFIDENTIAL AND PROPRIETARY TO ABT. ABT OWNS ALL RIGHTS IN AND TO THESE DRAWINGS AND MATERIALS, INCLUDING, BUT NOT LIMITED TO, COPYRIGHT, TRADE SECRET AND OTHER INTELLECTUAL PROPERTY RIGHTS. NO ONE MAY USE, COPY OR DISTRIBUTE ANY PORTION OF THESE DRAWINGS OR MATERIALS WITHOUT THE EXPRESS WRITTEN CONSENT OF ABT.

ACCELERATED BUILDING TECHNOLOGIES DESIGN GROUP ASSUMES NO LIABILITY FROM INCORRECT APPLICATION OR INSTALLATION OF THE STEEL FRAMING SYSTEM. THE USE OF ANY COLD FORMED STEEL PRODUCTS THAT ARE NOT RECOMMENDED BY ACCELERATED BUILDING TECHNOLOGIES IS STRICTLY PROHIBITED AND WILL RESULT IN NULLIFICATION OF THE PROFESSIONAL ENGINEER'S SEAL AND ANY IMPLIED SUPPORT BY ACCELERATED BUILDING TECHNOLOGIES DESIGN GROUP. COMPLETE AND DETAILED EVALUATION FOR PRODUCT SUITABILITY MUST BE ACCOMPLISHED BY OWNER'S ARCHITECT OR STRUCTURAL ENGINEER.

**Revisions**

REV	Description	DATE
△		
△		
△		



1550 Coraopolis Heights Road  
Moon Township, Pennsylvania  
Phone: 412-490-5037  
Fax: 412-490-5066

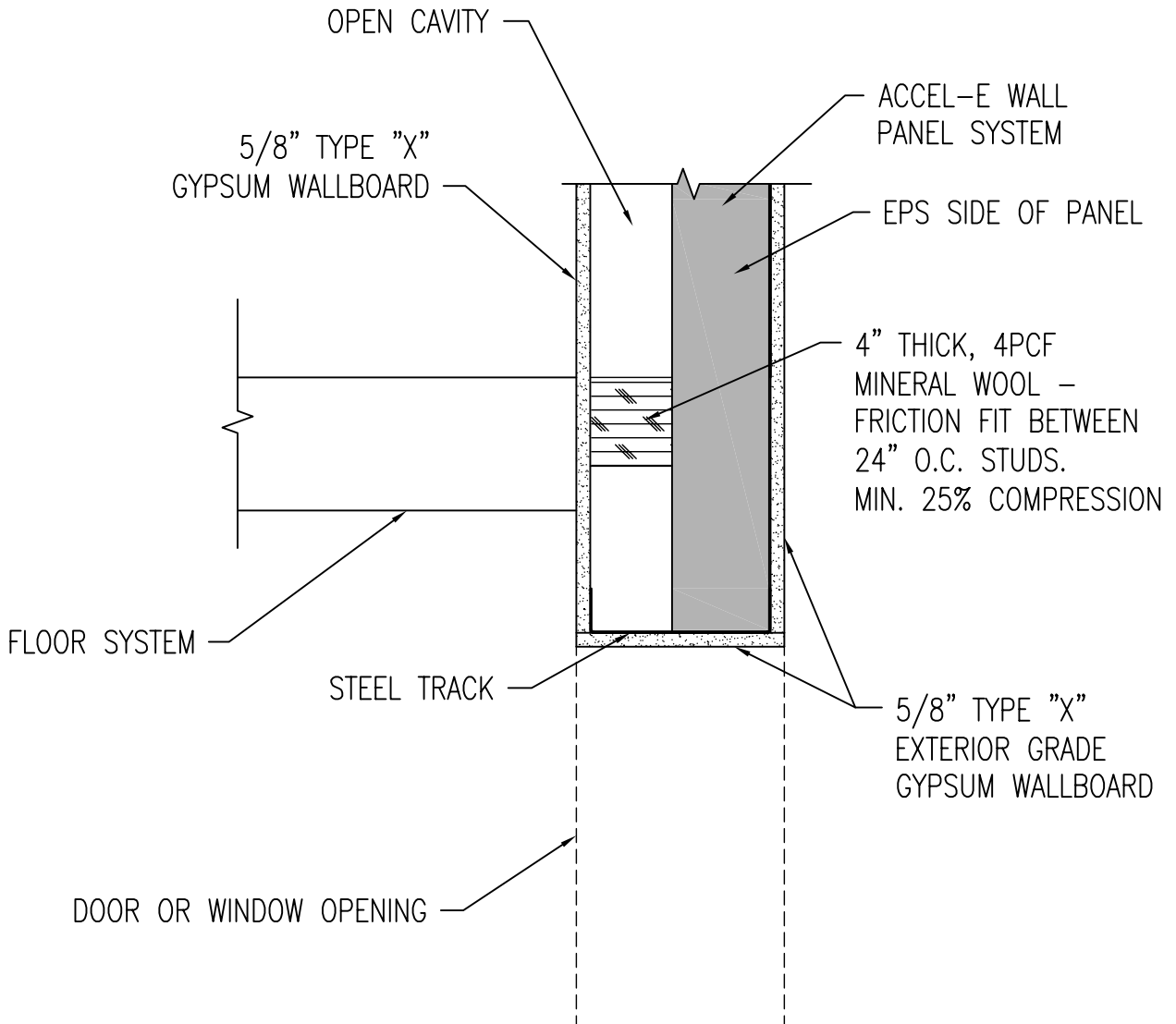
**Project Information**

NFPA 285  
ASSEMBLY REQUIREMENT  
FOR BYPASS  
CONSTRUCTION

**Sheet Information**

DATE:	08/11/08
SCALE:	NONE
DESIGNER:	
DRAWN BY:	CRB
CHECKED BY:	DKC

**TITLE**



○ CONTINUOUS GYPSUM CONDITION #1  
 SCALE: 1 1/2" = 1'-0"  
 (CONTINUOUS INTERIOR GYPSUM WITHOUT GAP AT FLOOR SYSTEM)

© COPYRIGHT ACCELERATED BUILDING TECHNOLOGIES, LLC. ("ABT"), AS AN UNPUBLISHED WORK. ALL RIGHTS RESERVED. THESE DRAWINGS AND MATERIALS CONTAIN INFORMATION AND DESIGNS WHICH ARE CONFIDENTIAL AND PROPRIETARY TO ABT. ABT OWNS ALL RIGHTS IN AND TO THESE DRAWINGS AND MATERIALS, INCLUDING, BUT NOT LIMITED TO, COPYRIGHT, TRADE SECRET AND OTHER INTELLECTUAL PROPERTY RIGHTS. NO ONE MAY USE, COPY OR DISTRIBUTE ANY PORTION OF THESE DRAWINGS OR MATERIALS WITHOUT THE EXPRESS WRITTEN CONSENT OF ABT.

ACCELERATED BUILDING TECHNOLOGIES DESIGN GROUP ASSUMES NO LIABILITY FROM INCORRECT APPLICATION OR INSTALLATION OF THE STEEL FRAMING SYSTEM. THE USE OF ANY COLD FORMED STEEL PRODUCTS THAT ARE NOT RECOMMENDED BY ACCELERATED BUILDING TECHNOLOGIES IS STRICTLY PROHIBITED AND WILL RESULT IN NULLIFICATION OF THE PROFESSIONAL ENGINEER'S SEAL AND ANY IMPLIED SUPPORT BY ACCELERATED BUILDING TECHNOLOGIES DESIGN GROUP. COMPLETE AND DETAILED EVALUATION FOR PRODUCT SUITABILITY MUST BE ACCOMPLISHED BY OWNER'S ARCHITECT OR STRUCTURAL ENGINEER.

Revisions

REV	Description	DATE



1550 Coraopolis Heights Road  
 Moon Township, Pennsylvania  
 Phone: 412-490-5037  
 Fax: 412-490-5066

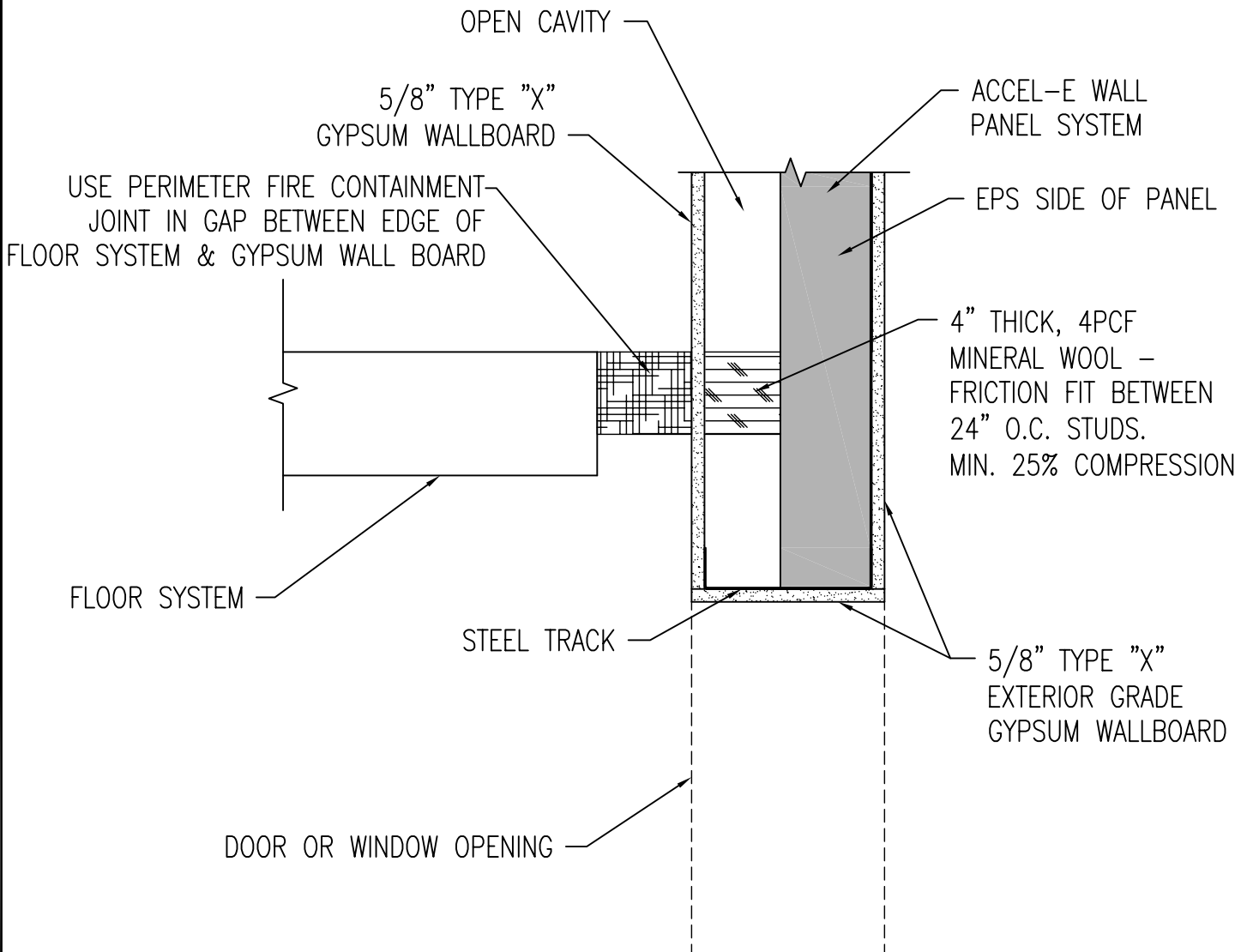
Project Information

NFPA 285  
 ASSEMBLY REQUIREMENT FOR BYPASS CONSTRUCTION

Sheet Information

DATE:	8/11/08
SCALE:	AS SHOWN
DESIGNER:	HUGHES ASSOCIATES
DRAWN BY:	CRB
CHECKED BY:	DKC

**BC1**



○ CONTINUOUS GYPSUM CONDITION #2  
 SCALE: 1 1/2" = 1'-0"  
 (CONTINUOUS INTERIOR GYPSUM WITH GAP AT FLOOR SYSTEM)

© COPYRIGHT ACCELERATED BUILDING TECHNOLOGIES, LLC. ("ABT"), AS AN UNPUBLISHED WORK. ALL RIGHTS RESERVED. THESE DRAWINGS AND MATERIALS CONTAIN INFORMATION AND DESIGNS WHICH ARE CONFIDENTIAL AND PROPRIETARY TO ABT. ABT OWNS ALL RIGHTS IN AND TO THESE DRAWINGS AND MATERIALS, INCLUDING, BUT NOT LIMITED TO, COPYRIGHT, TRADE SECRET AND OTHER INTELLECTUAL PROPERTY RIGHTS. NO ONE MAY USE, COPY OR DISTRIBUTE ANY PORTION OF THESE DRAWINGS OR MATERIALS WITHOUT THE EXPRESS WRITTEN CONSENT OF ABT.

ACCELERATED BUILDING TECHNOLOGIES DESIGN GROUP ASSUMES NO LIABILITY FROM INCORRECT APPLICATION OR INSTALLATION OF THE STEEL FRAMING SYSTEM. THE USE OF ANY COLD FORMED STEEL PRODUCTS THAT ARE NOT RECOMMENDED BY ACCELERATED BUILDING TECHNOLOGIES IS STRICTLY PROHIBITED AND WILL RESULT IN NULLIFICATION OF THE PROFESSIONAL ENGINEER'S SEAL AND ANY IMPLIED SUPPORT BY ACCELERATED BUILDING TECHNOLOGIES DESIGN GROUP. COMPLETE AND DETAILED EVALUATION FOR PRODUCT SUITABILITY MUST BE ACCOMPLISHED BY OWNER'S ARCHITECT OR STRUCTURAL ENGINEER.

REV	Description	DATE



**ACCELERATED**  
building technologies

A Dietrich Metal Framing | NOVA Chemicals Joint Venture

1550 Coraopolis Heights Road  
 Moon Township, Pennsylvania  
 Phone: 412-490-5037  
 Fax: 412-490-5066

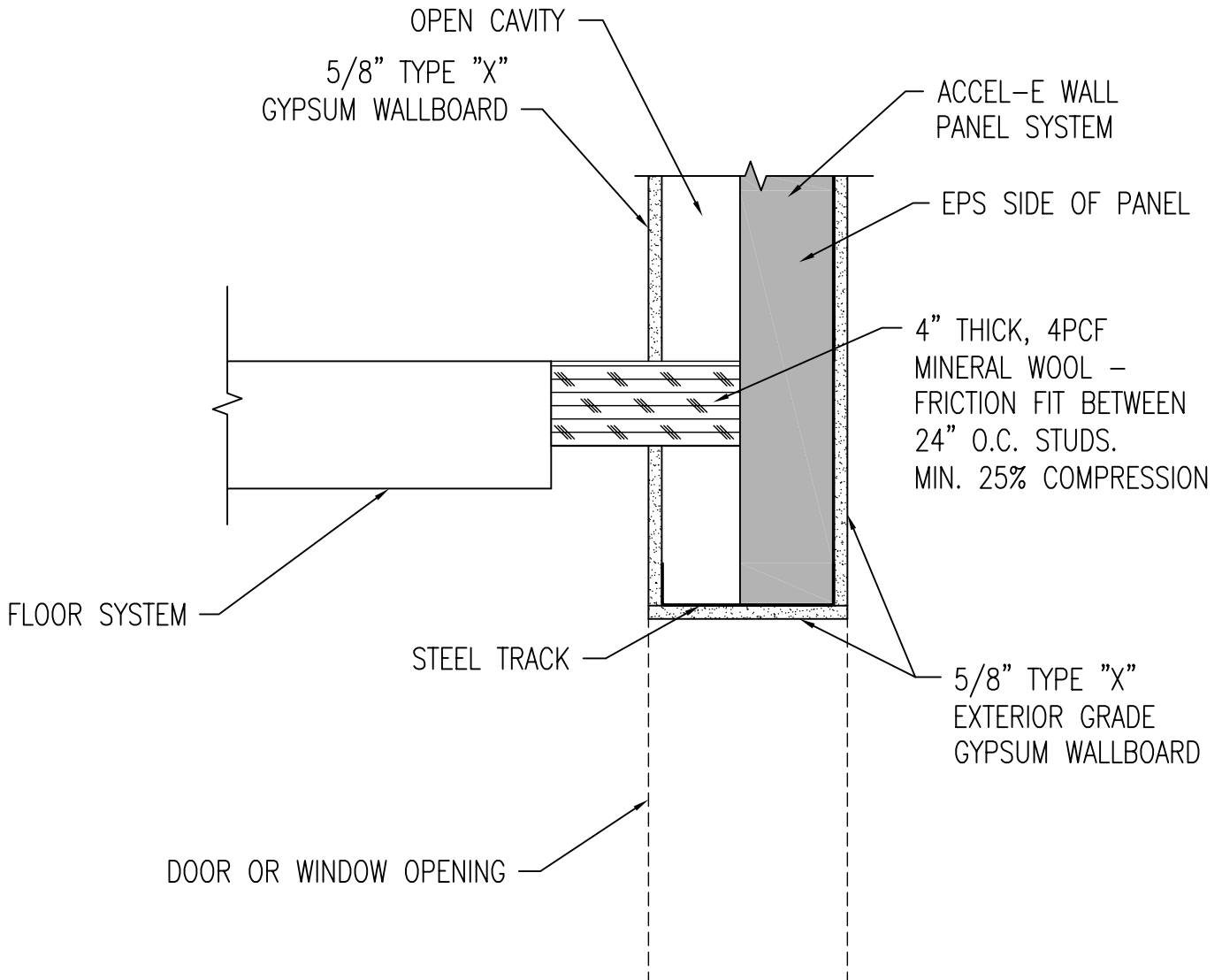
**Project Information**  
 NFPA 285  
 ASSEMBLY REQUIREMENT  
 FOR BYPASS  
 CONSTRUCTION

**Sheet Information**

DATE:	8/11/08
SCALE:	AS SHOWN
DESIGNER:	HUGHES ASSOCIATES
DRAWN BY:	CRB
CHECKED BY:	DKC

**BC2**





○ DISCONTINUOUS GYPSUM CONDITION #2  
 SCALE: 1 1/2" = 1'-0"  
 (DISCONTINUOUS INTERIOR GYPSUM WITH GAP AT FLOOR SYSTEM)

© COPYRIGHT ACCELERATED BUILDING TECHNOLOGIES, LLC. ("ABT"), AS AN UNPUBLISHED WORK. ALL RIGHTS RESERVED. THESE DRAWINGS AND MATERIALS CONTAIN INFORMATION AND DESIGNS WHICH ARE CONFIDENTIAL AND PROPRIETARY TO ABT. ABT OWNS ALL RIGHTS IN AND TO THESE DRAWINGS AND MATERIALS, INCLUDING, BUT NOT LIMITED TO, COPYRIGHT, TRADE SECRET AND OTHER INTELLECTUAL PROPERTY RIGHTS. NO ONE MAY USE, COPY OR DISTRIBUTE ANY PORTION OF THESE DRAWINGS OR MATERIALS WITHOUT THE EXPRESS WRITTEN CONSENT OF ABT.

ACCELERATED BUILDING TECHNOLOGIES DESIGN GROUP ASSUMES NO LIABILITY FROM INCORRECT APPLICATION OR INSTALLATION OF THE STEEL FRAMING SYSTEM. THE USE OF ANY COLD FORMED STEEL PRODUCTS THAT ARE NOT RECOMMENDED BY ACCELERATED BUILDING TECHNOLOGIES IS STRICTLY PROHIBITED AND WILL RESULT IN NULLIFICATION OF THE PROFESSIONAL ENGINEER'S SEAL AND ANY IMPLIED SUPPORT BY ACCELERATED BUILDING TECHNOLOGIES DESIGN GROUP. COMPLETE AND DETAILED EVALUATION FOR PRODUCT SUITABILITY MUST BE ACCOMPLISHED BY OWNER'S ARCHITECT OR STRUCTURAL ENGINEER.

Revisions

REV	Description	DATE



A Dietrich Metal Framing | NOVA Chemicals Joint Venture

1550 Coraopolis Heights Road  
 Moon Township, Pennsylvania  
 Phone: 412-490-5037  
 Fax: 412-490-5066

Project Information

NFPA 285  
 ASSEMBLY REQUIREMENT  
 FOR BYPASS  
 CONSTRUCTION

Sheet Information

DATE:	8/11/08
SCALE:	AS SHOWN
DESIGNER:	HUGHES ASSOCIATES
DRAWN BY:	CRB
CHECKED BY:	DKC

**BD2**