



IN-LINE FRAMING GUIDE

- D1 - IN-LINE FRAMING ISO
- D2 - IN-LINE FRAMING DETAIL
- D3 - OFF LAYOUT FRAMING

© COPYRIGHT ACCELERATED BUILDING TECHNOLOGIES, LLC. (ABT), AS AN UNPUBLISHED WORK. ALL RIGHTS RESERVED. THESE DRAWINGS AND MATERIALS CONTAIN INFORMATION AND DESIGNS WHICH ARE CONFIDENTIAL AND PROPRIETARY TO ABT. ABT OWNS ALL RIGHTS IN AND TO THESE DRAWINGS AND MATERIALS, INCLUDING, BUT NOT LIMITED TO, COPYRIGHT, TRADE SECRET AND OTHER INTELLECTUAL PROPERTY RIGHTS. NO ONE MAY USE, COPY OR DISTRIBUTE ANY PORTION OF THESE DRAWINGS OR MATERIALS WITHOUT THE EXPRESS WRITTEN CONSENT OF ABT.

ACCELERATED BUILDING TECHNOLOGIES DESIGN GROUP ASSUMES NO LIABILITY FROM INCORRECT APPLICATION OR INSTALLATION OF THE STEEL FRAMING SYSTEM. THE USE OF ANY COLD FORMED STEEL PRODUCTS THAT ARE NOT RECOMMENDED BY ACCELERATED BUILDING TECHNOLOGIES IS STRICTLY PROHIBITED AND WILL RESULT IN NULLIFICATION OF THE PROFESSIONAL ENGINEER'S SEAL AND ANY IMPLIED SUPPORT BY ACCELERATED BUILDING TECHNOLOGIES DESIGN GROUP. COMPLETE AND DETAILED EVALUATION FOR PRODUCT SUITABILITY MUST BE ACCOMPLISHED BY OWNER'S ARCHITECT OR STRUCTURAL ENGINEER.

Revisions

REV	Description	DATE



1550 Coraopolis Heights Road
Moon Township, Pennsylvania
Phone: 412-490-5037
Fax: 412-490-5066

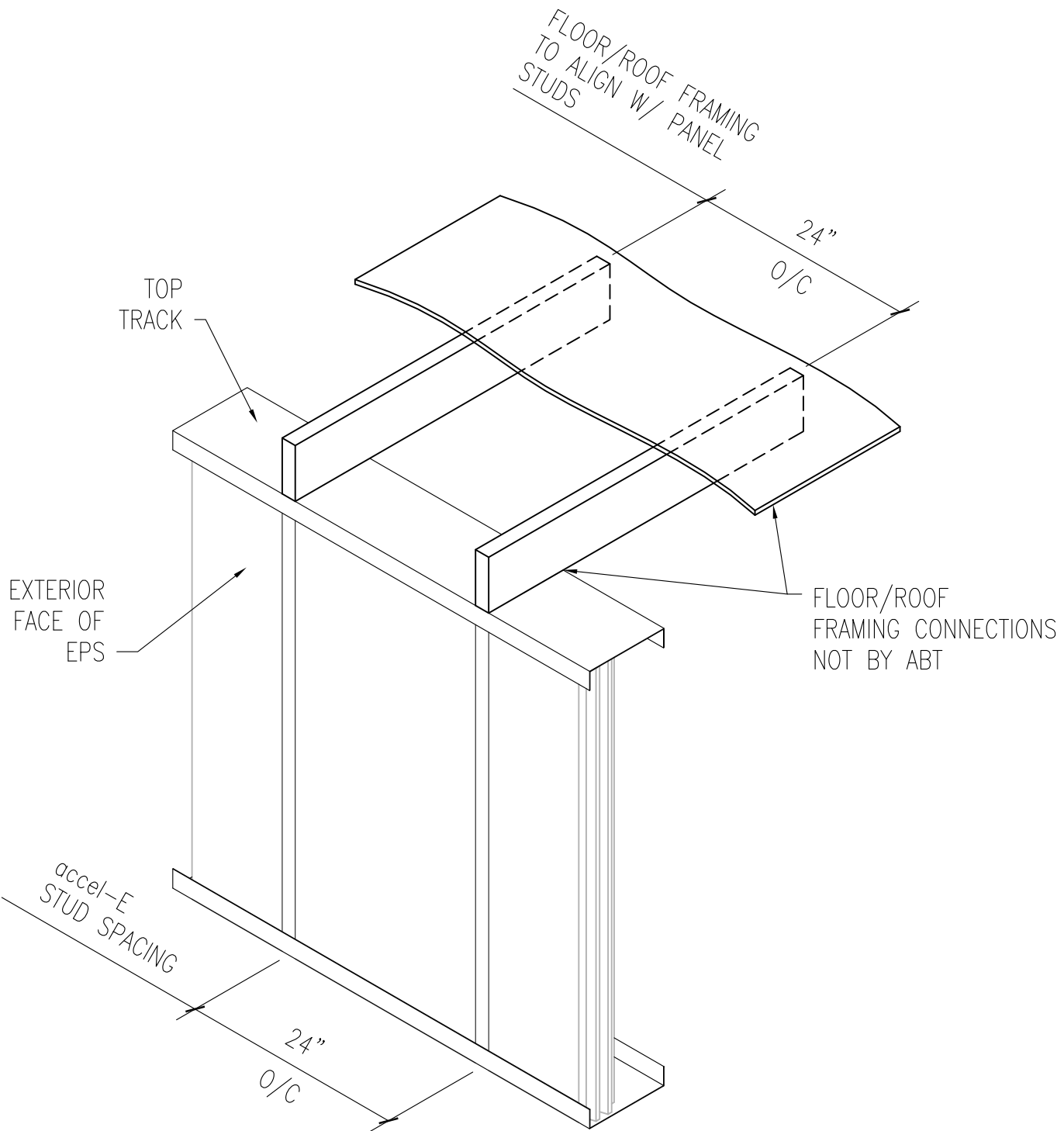
Project Information

IN-LINE FRAMING GUIDE

Sheet Information

DATE:	09/05/08
SCALE:	NONE
DESIGNER:	
DRAWN BY:	BPC
CHECKED BY:	DKC

TITLE



© COPYRIGHT ACCELERATED BUILDING TECHNOLOGIES, LLC. (ABT), AS AN UNPUBLISHED WORK. ALL RIGHTS RESERVED. THESE DRAWINGS AND MATERIALS CONTAIN INFORMATION AND DESIGNS WHICH ARE CONFIDENTIAL AND PROPRIETARY TO ABT. ABT OWNS ALL RIGHTS IN AND TO THESE DRAWINGS AND MATERIALS, INCLUDING, BUT NOT LIMITED TO, COPYRIGHT, TRADE SECRET AND OTHER INTELLECTUAL PROPERTY RIGHTS. NO ONE MAY USE, COPY OR DISTRIBUTE ANY PORTION OF THESE DRAWINGS OR MATERIALS WITHOUT THE EXPRESS WRITTEN CONSENT OF ABT.

ACCELERATED BUILDING TECHNOLOGIES DESIGN GROUP ASSUMES NO LIABILITY FROM INCORRECT APPLICATION OR INSTALLATION OF THE STEEL FRAMING SYSTEM. THE USE OF ANY COLD FORMED STEEL PRODUCTS THAT ARE NOT RECOMMENDED BY ACCELERATED BUILDING TECHNOLOGIES IS STRICTLY PROHIBITED AND WILL RESULT IN NULLIFICATION OF THE PROFESSIONAL ENGINEER'S SEAL AND ANY IMPLIED SUPPORT BY ACCELERATED BUILDING TECHNOLOGIES DESIGN GROUP. COMPLETE AND DETAILED EVALUATION FOR PRODUCT SUITABILITY MUST BE ACCOMPLISHED BY OWNER'S ARCHITECT OR STRUCTURAL ENGINEER.

Revisions		
REV	Description	DATE



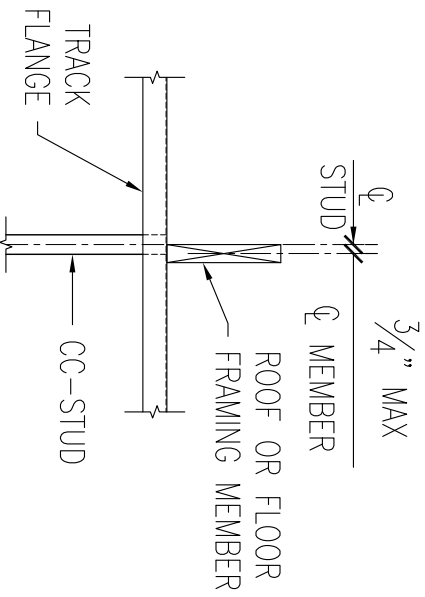
1550 Coraopolis Heights Road
 Moon Township, Pennsylvania
 Phone: 412-490-5037
 Fax: 412-490-5066

Project Information
INLINE FRAMING GUIDE

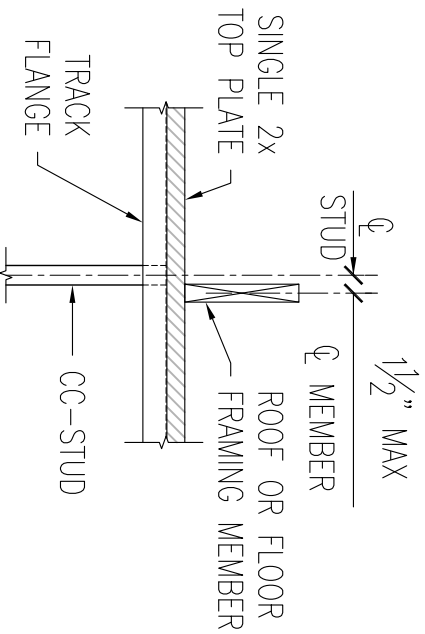
Sheet Information
IN-LINE FRAMING DETAIL

DATE:	09/09/08
SCALE:	3/4"=1'-0"
DESIGNER:	
DRAWN BY:	BPC
CHECKED BY:	

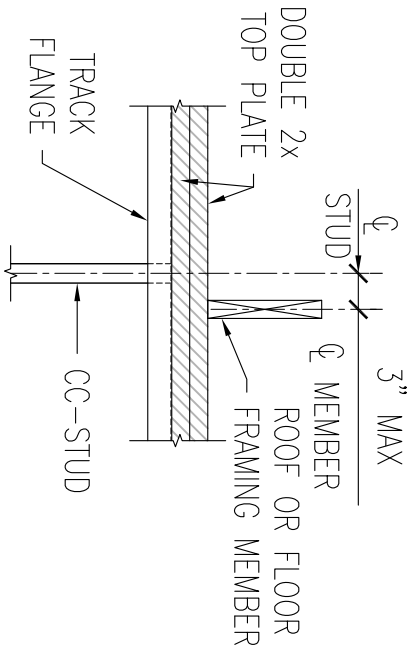
D1



1
N.T.S.
NOTE: EPS NOT SHOWN FOR CLARITY
ROOF/FLOOR FRAMING



2
N.T.S.
NOTE: EPS NOT SHOWN FOR CLARITY
ROOF/FLOOR FRAMING



3
N.T.S.
NOTE: EPS NOT SHOWN FOR CLARITY
ROOF/FLOOR FRAMING

© COPYRIGHT ACCELERATED BUILDING TECHNOLOGIES, LLC. (ABT), AS AN UNPUBLISHED WORK. ALL RIGHTS RESERVED. THESE DRAWINGS AND MATERIALS CONTAIN INFORMATION AND DESIGNS WHICH ARE CONFIDENTIAL AND PROPRIETARY TO ABT. NO PART OF THESE DRAWINGS OR MATERIALS MAY BE REPRODUCED, COPIED, STORED IN A RETRIEVING SYSTEM, OR TRANSMITTED IN ANY FORM OR BY ANY MEANS, WITHOUT THE EXPRESS WRITTEN CONSENT OF ABT. TRADE SECRET AND OTHER INTELLECTUAL PROPERTY RIGHTS. NO ONE MAY USE, COPY OR DISTRIBUTE ANY PORTION OF THESE DRAWINGS OR MATERIALS WITHOUT THE EXPRESS WRITTEN CONSENT OF ABT.

ACCELERATED BUILDING TECHNOLOGIES DESIGN GROUP ASSUMES NO LIABILITY FROM INCORRECT APPLICATION OR MISUSE OF THE SYSTEM OR FROM THE USE OF MATERIALS NOT RECOMMENDED BY ACCELERATED BUILDING TECHNOLOGIES. THE PROFESSIONAL ENGINEER'S SEAL AND ANY IMPLIED SUPPORT BY ACCELERATED BUILDING TECHNOLOGIES DESIGN GROUP, COMPLETE AND DETAILED EVALUATION FOR PRODUCT SUITABILITY MUST BE ACCOMPLISHED BY OWNER'S ARCHITECT OR STRUCTURAL ENGINEER.



A Dietrich Metal Framing / NOVIA Chemicals Joint Venture
1550 Coraopolis Heights Road
Moon Township, Pennsylvania
Phone: 412-490-5037
Fax: 412-490-5066

REV	Description	DATE

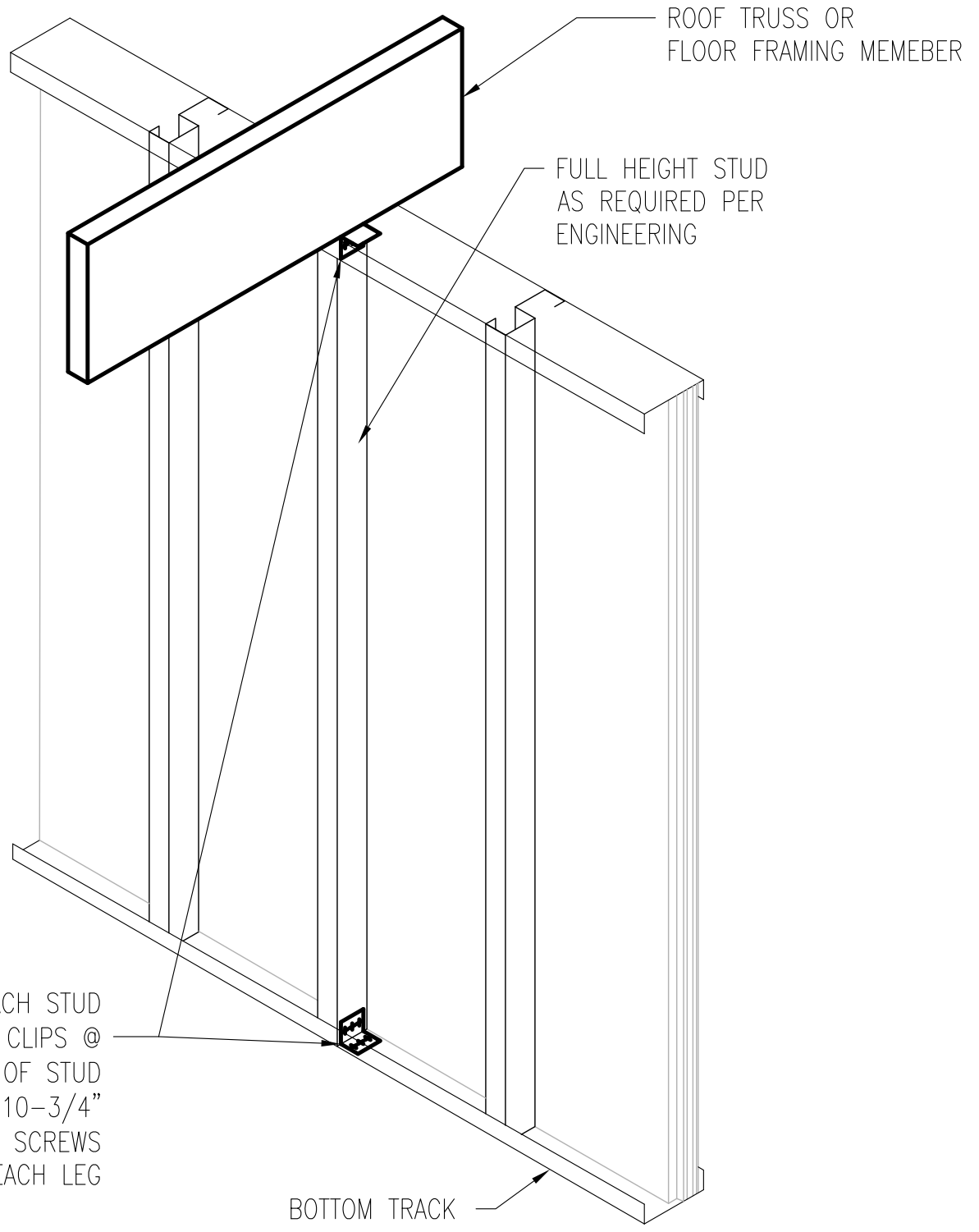
Project Information

INLINE FRAMING GUIDE

Sheet Information

INLINE FRAMING DETAILS

DATE:	09/09/08
SCALE:	3/4"=1'-0"
DESIGNER:	BPC
DRAWN BY:	DKC
CHECKED BY:	DKC



ATTACH STUD
 W/3"x3" - 12GA. CLIPS @
 TOP & BOTTOM OF STUD
 W/(6) #10-3/4"
 HEX-HEAD SCREWS
 @ EACH LEG

BOTTOM TRACK

© COPYRIGHT ACCELERATED BUILDING TECHNOLOGIES, LLC. (ABT), AS AN UNPUBLISHED WORK. ALL RIGHTS RESERVED. THESE DRAWINGS AND MATERIALS CONTAIN INFORMATION AND DESIGNS WHICH ARE CONFIDENTIAL AND PROPRIETARY TO ABT. ABT OWNS ALL RIGHTS IN AND TO THESE DRAWINGS AND MATERIALS, INCLUDING, BUT NOT LIMITED TO, COPYRIGHT, TRADE SECRET AND OTHER INTELLECTUAL PROPERTY RIGHTS. NO ONE MAY USE, COPY OR DISTRIBUTE ANY PORTION OF THESE DRAWINGS OR MATERIALS WITHOUT THE EXPRESS WRITTEN CONSENT OF ABT.

ACCELERATED BUILDING TECHNOLOGIES DESIGN GROUP ASSUMES NO LIABILITY FROM INCORRECT APPLICATION OR INSTALLATION OF THE STEEL FRAMING SYSTEM. THE USE OF ANY COLD FORMED STEEL PRODUCTS THAT ARE NOT RECOMMENDED BY ACCELERATED BUILDING TECHNOLOGIES IS STRICTLY PROHIBITED AND WILL RESULT IN NULLIFICATION OF THE PROFESSIONAL ENGINEER'S SEAL AND ANY IMPLIED SUPPORT BY ACCELERATED BUILDING TECHNOLOGIES DESIGN GROUP. COMPLETE AND DETAILED EVALUATION FOR PRODUCT SUITABILITY MUST BE ACCOMPLISHED BY OWNER'S ARCHITECT OR STRUCTURAL ENGINEER.

Revisions

REV	Description	DATE



A Dietrich Metal Framing | NOVA Chemicals Joint Venture
 1550 Coraopolis Heights Road
 Moon Township, Pennsylvania
 Phone: 412-490-5037
 Fax: 412-490-5066

Project Information

INLINE FRAMING GUIDE

Sheet Information

OFF LAYOUT FRAMING

DATE:	09/09/08
SCALE:	NONE
DESIGNER:	
DRAWN BY:	BPC
CHECKED BY:	DKC

D3