



# GENERAL WALL SECTIONS

- 5NLB - 5 $\frac{1}{2}$ " NON-LOAD BEARING
- 5LB - 5 $\frac{1}{2}$ " LOAD BEARING
- 8NLB - 8" NON-LOAD BEARING
- 8LB - 8" LOAD BEARING

© COPYRIGHT ACCELERATED BUILDING TECHNOLOGIES, LLC. (ABT), AS AN UNPUBLISHED WORK. ALL RIGHTS RESERVED. THESE DRAWINGS AND MATERIALS CONTAIN INFORMATION AND DESIGNS WHICH ARE CONFIDENTIAL AND PROPRIETARY TO ABT. ABT OWNS ALL RIGHTS IN AND TO THESE DRAWINGS AND MATERIALS, INCLUDING, BUT NOT LIMITED TO, COPYRIGHT, TRADE SECRET AND OTHER INTELLECTUAL PROPERTY RIGHTS. NO ONE MAY USE, COPY OR DISTRIBUTE ANY PORTION OF THESE DRAWINGS OR MATERIALS WITHOUT THE EXPRESS WRITTEN CONSENT OF ABT.

ACCELERATED BUILDING TECHNOLOGIES DESIGN GROUP ASSUMES NO LIABILITY FROM INCORRECT APPLICATION OR INSTALLATION OF THE STEEL FRAMING SYSTEM. THE USE OF ANY COLD FORMED STEEL PRODUCTS THAT ARE NOT RECOMMENDED BY ACCELERATED BUILDING TECHNOLOGIES IS STRICTLY PROHIBITED AND WILL RESULT IN NULLIFICATION OF THE PROFESSIONAL ENGINEER'S SEAL AND ANY IMPLIED SUPPORT BY ACCELERATED BUILDING TECHNOLOGIES DESIGN GROUP. COMPLETE AND DETAILED EVALUATION FOR PRODUCT SUITABILITY MUST BE ACCOMPLISHED BY OWNER'S ARCHITECT OR STRUCTURAL ENGINEER.

**Revisions**

REV	Description	DATE
△		
△		
△		



A Dietrich Metal Framing | NOVA Chemicals Joint Venture

1550 Coraopolis Heights Road  
Moon Township, Pennsylvania  
Phone: 412-490-5037  
Fax: 412-490-5066

**Project Information**

GENERAL WALL SECTIONS

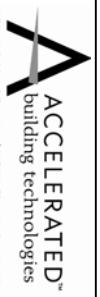
**Sheet Information**

DATE:	09/05/08
SCALE:	NONE
DESIGNER:	
DRAWN BY:	BPC
CHECKED BY:	DKC

**TITLE**

© COPYRIGHT ACCELERATED BUILDING TECHNOLOGIES, LLC. (ABT), AS AN UNPUBLISHED WORK. ALL RIGHTS RESERVED. THESE DRAWINGS AND MATERIALS CONTAIN INFORMATION AND DESIGNS WHICH ARE CONFIDENTIAL AND PROPRIETARY TO ABT. MATERIALS INCLUDING BUT NOT LIMITED TO COPYRIGHT TRADE SECRET AND OTHER INTELLECTUAL PROPERTY RIGHTS, NO ONE MAY USE, COPY OR DISTRIBUTE ANY PORTION OF THESE DRAWINGS OR MATERIALS WITHOUT THE EXPRESS WRITTEN CONSENT OF ABT.

ACCELERATED BUILDING TECHNOLOGIES DESIGN GROUP ASSUMES NO LIABILITY FROM INCORRECT APPLICATION OR MISUSE OF THE STEEL FRAMING SYSTEM. THE USE OF MATERIALS AND METHODS NOT SPECIFICALLY RECOMMENDED BY ACCELERATED BUILDING TECHNOLOGIES IS STRICTLY PROHIBITED AND WILL RESULT IN NULLIFICATION OF THE PROFESSIONAL ENGINEER'S SEAL AND ANY IMPAIRED SUPPORT BY ACCELERATED BUILDING TECHNOLOGIES DESIGN GROUP. COMPLETE AND DETAILED EVALUATION FOR DESIGN SUITABILITY MUST BE ACCOMPLISHED BY OWNER'S ARCHITECT OR STRUCTURAL ENGINEER.



A Dierich Metal Framing | NOVIA Chemicals Joint Venture  
**1550 Coraopolis Heights Road**  
**Moon Township, Pennsylvania**  
**Phone: 412-490-5037**  
**Fax: 412-490-5066**

Revisions

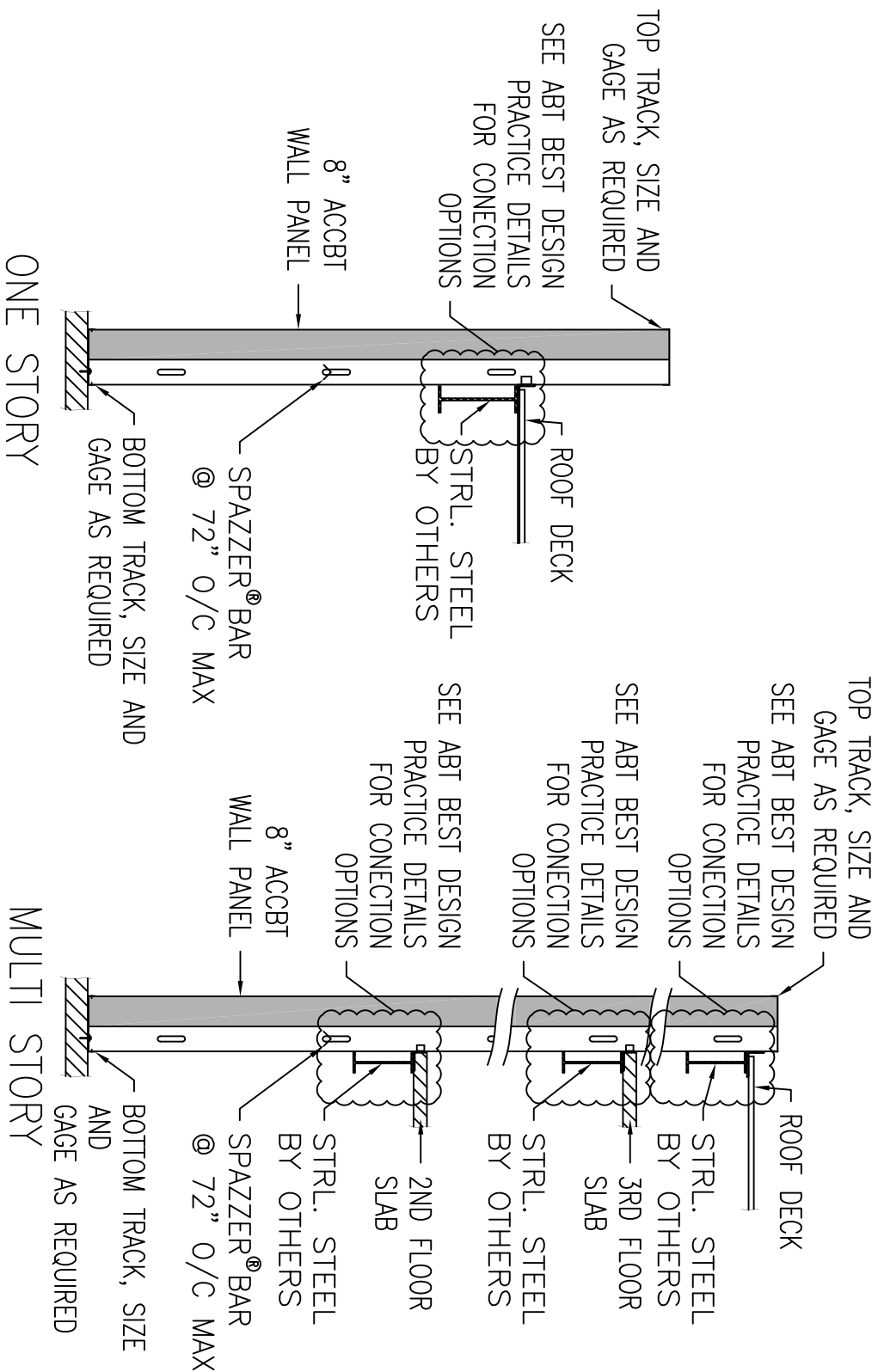
REV	Description	DATE

Project Information  
**CURTAIN WALL/BYPASS**

Sheet Information  
**8" PANEL GENERAL WALL SECTION**

DATE: 09/05/08  
 SCALE: 1/2"=1'-0"  
 DESIGNER:  
 DRAWN BY: BPC  
 CHECKED BY: DKC

**8NLB**



ONE STORY

MULTI STORY

© COPYRIGHT ACCELERATED BUILDING TECHNOLOGIES, LLC. (ABT), AS AN UNPUBLISHED WORK. ALL RIGHTS RESERVED. THESE DRAWINGS AND MATERIALS CONTAIN INFORMATION AND DESIGNS WHICH ARE CONFIDENTIAL AND PROPRIETARY TO ABT. NO PART OF THESE DRAWINGS OR MATERIALS INCLUDING TRADE SECRETS AND OTHER INTELLECTUAL PROPERTY RIGHTS, NO ONE MAY USE, COPY OR DISTRIBUTE ANY PORTION OF THESE DRAWINGS OR MATERIALS WITHOUT THE EXPRESS WRITTEN CONSENT OF ABT.

ACCELERATED BUILDING TECHNOLOGIES DESIGN GROUP ASSUMES NO LIABILITY FROM INCORRECT APPLICATION OR MISUSE OF THE STEEL FRAMING SYSTEM. THE USE OF MATERIALS AND METHODS NOT SPECIFICALLY RECOMMENDED BY ACCELERATED BUILDING TECHNOLOGIES IS STRICTLY PROHIBITED AND WILL RESULT IN NULLIFICATION OF THE PROFESSIONAL ENGINEER'S SEAL AND ANY IMPLIED SUPPORT BY ACCELERATED BUILDING TECHNOLOGIES DESIGN GROUP. COMPLETE AND DETAILED EVALUATION FOR PRODUCT SUITABILITY MUST BE ACCOMPLISHED BY OWNER'S ARCHITECT OR STRUCTURAL ENGINEER.

**ACCELERATED™**  
 building technologies

A Dietrich Metal Framing | NOVIA Chemicals Joint Venture  
 1550 Coraopolis Heights Road  
 Moon Township, Pennsylvania  
 Phone: 412-490-5037  
 Fax: 412-490-5066

Revisions

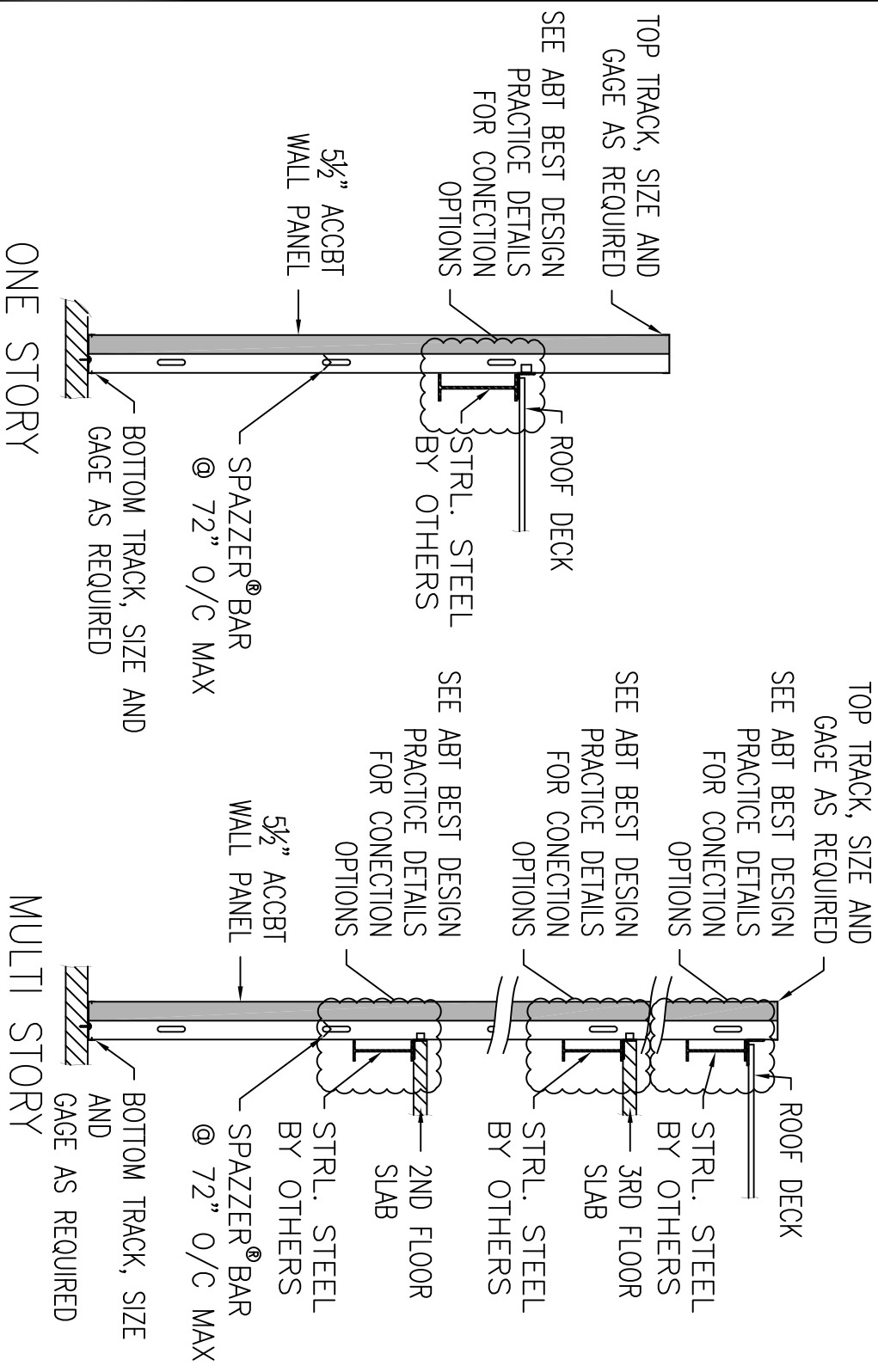
REV	Description	DATE

Project Information  
 CURTAIN WALL/BYPASS

Sheet Information  
 5 1/2" PANEL  
 GENERAL WALL SECTION

DATE: 08/26/08  
 SCALE: 1/2"=1'-0"  
 DESIGNER:  
 DRAWN BY: BPC  
 CHECKED BY: DKC

**SNLB**



TOP TRACK, SIZE AND GAGE AS REQUIRED

SEE ABT BEST DESIGN PRACTICE DETAILS FOR CONNECTION OPTIONS

5 1/2" ACCBT WALL PANEL

ROOF DECK

STRL. STEEL BY OTHERS

SPAZZER® BAR @ 72" O/C MAX

BOTTOM TRACK, SIZE AND GAGE AS REQUIRED

ONE STORY

TOP TRACK, SIZE AND GAGE AS REQUIRED

SEE ABT BEST DESIGN PRACTICE DETAILS FOR CONNECTION OPTIONS

5 1/2" ACCBT WALL PANEL

ROOF DECK

STRL. STEEL BY OTHERS

3RD FLOOR SLAB

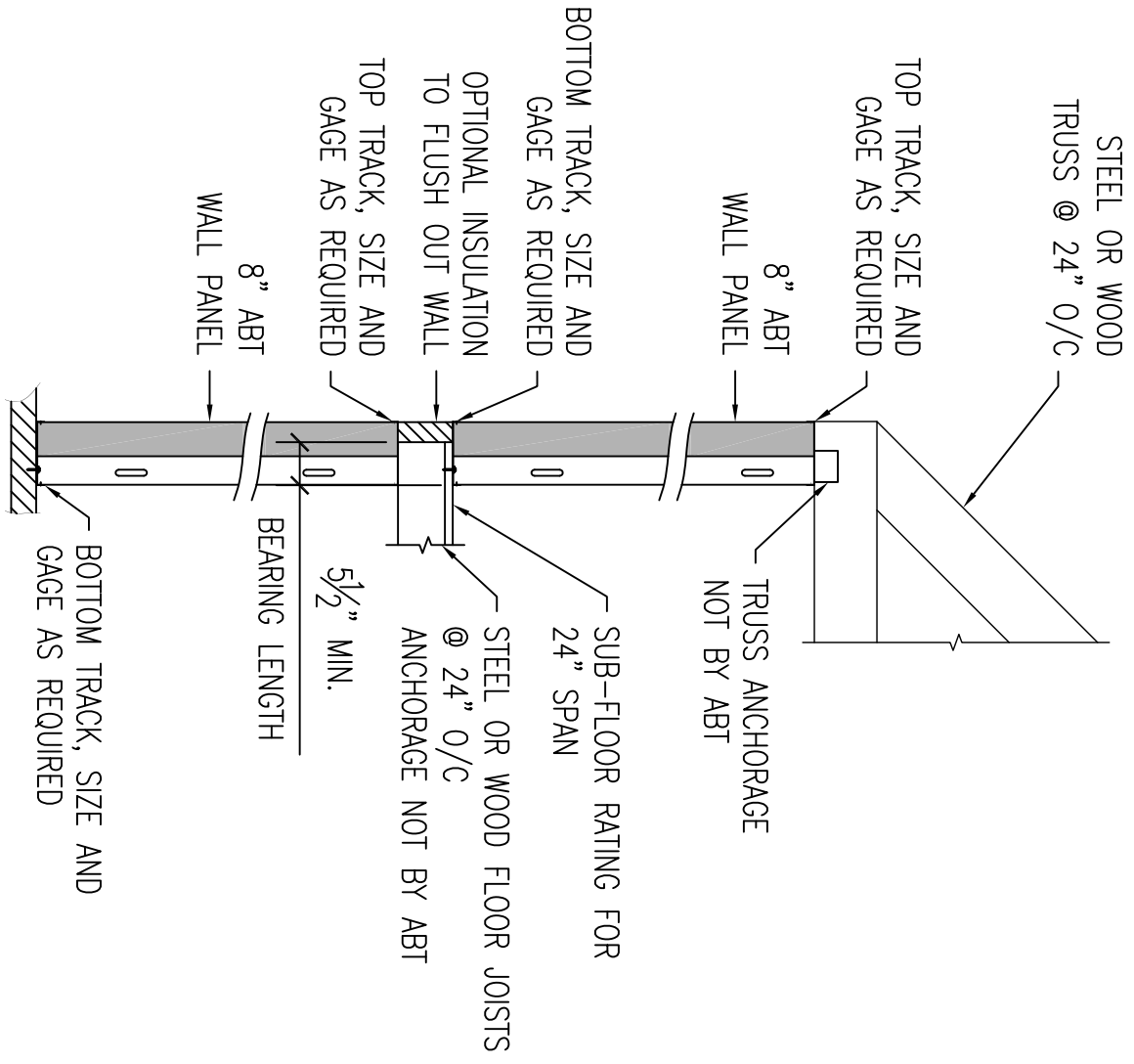
STRL. STEEL BY OTHERS

2ND FLOOR SLAB

SPAZZER® BAR @ 72" O/C MAX

BOTTOM TRACK, SIZE AND GAGE AS REQUIRED

MULTI STORY



2x TOP PLATE OPTIONAL FOR WOOD ROOF AND FLOOR FRAMING

© COPYRIGHT ACCELERATED BUILDING TECHNOLOGIES, LLC. (ABT), AS AN UNPUBLISHED WORK. ALL RIGHTS RESERVED. THESE DRAWINGS AND MATERIALS CONTAIN INFORMATION AND DESIGNS WHICH ARE CONFIDENTIAL AND PROPRIETARY TO ABT. NO PART OF THESE DRAWINGS OR MATERIALS SHALL BE REPRODUCED, COPIED, STORED IN A RETRIEVING SYSTEM, OR TRANSMITTED IN ANY FORM OR BY ANY MEANS, ELECTRONIC OR MECHANICAL, INCLUDING PHOTOCOPYING, RECORDING, OR BY ANY INFORMATION STORAGE AND RETRIEVAL SYSTEM, WITHOUT THE EXPRESS WRITTEN CONSENT OF ABT.

ACCELERATED BUILDING TECHNOLOGIES DESIGN GROUP ASSUMES NO LIABILITY FROM INCORRECT APPLICATION OR MISAPPLICATION OF THE SYSTEMS PROVIDED. THE USE OF MATERIALS AND METHODS NOT SPECIFICALLY RECOMMENDED BY ACCELERATED BUILDING TECHNOLOGIES IS STRICTLY PROHIBITED AND WILL RESULT IN NULLIFICATION OF THE PROFESSIONAL ENGINEER'S SEAL AND ANY IMPLIED SUPPORT BY ACCELERATED BUILDING TECHNOLOGIES DESIGN GROUP. COMPLETE AND DETAILED EVALUATION FOR PRODUCT SUITABILITY MUST BE ACCOMPLISHED BY OWNER'S ARCHITECT OR STRUCTURAL ENGINEER.

**ACCELERATED™**  
building technologies

A Dietrich Metal Framing | NOVIA Chemicals Joint Venture  
1550 Coraopolis Heights Road  
Moon Township, Pennsylvania  
Phone: 412-490-5037  
Fax: 412-490-5066

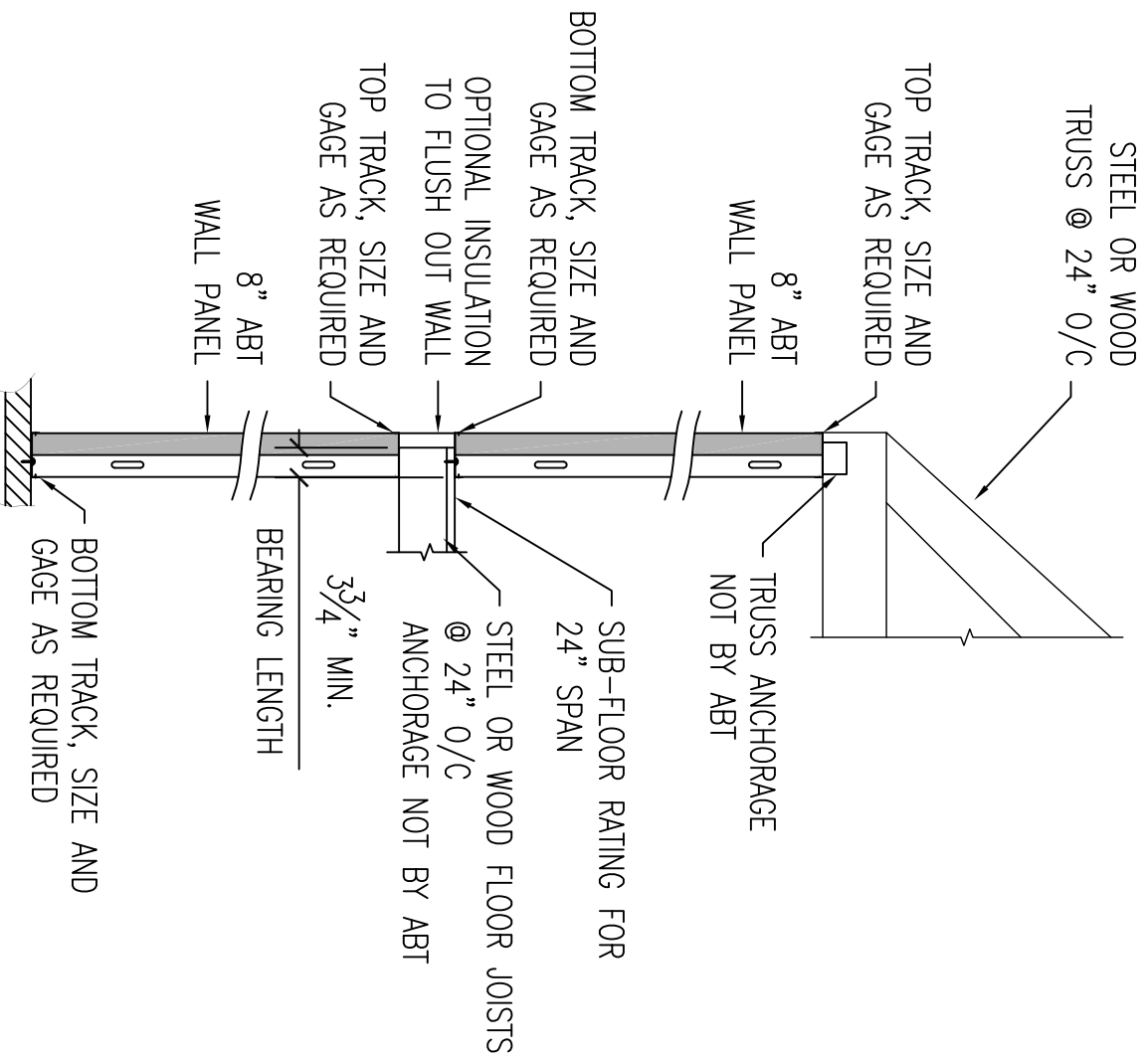
REV	Description	DATE

**Project Information**

**Sheet Information**

**8" PANEL LOAD BEARING WALL SECTION**

DATE: 09/10/08  
SCALE: 1/2"=1'-0"  
DESIGNER:  
DRAWN BY:  
CHECKED BY:



2x TOP PLATE OPTIONAL FOR WOOD ROOF AND FLOOR FRAMING

© COPYRIGHT ACCELERATED BUILDING TECHNOLOGIES, LLC. (ABT), AS AN UNPUBLISHED WORK. ALL RIGHTS RESERVED. THESE DRAWINGS AND MATERIALS CONTAIN INFORMATION AND DESIGNS WHICH ARE CONFIDENTIAL AND PROPRIETARY TO ABT. NO PART OF THESE DRAWINGS OR MATERIALS SHALL BE REPRODUCED, COPIED, STORED IN A RETRIEVING SYSTEM, OR TRANSMITTED IN ANY FORM OR BY ANY MEANS, ELECTRONIC OR MECHANICAL, INCLUDING PHOTOCOPYING, RECORDING, OR BY ANY INFORMATION STORAGE AND RETRIEVAL SYSTEM, WITHOUT THE EXPRESS WRITTEN CONSENT OF ABT.

ACCELERATED BUILDING TECHNOLOGIES DESIGN GROUP ASSUMES NO LIABILITY FROM INCORRECT APPLICATION OR MISUSE OF THE SYSTEMS OR MATERIALS. THE USE OF MATERIALS NOT LISTED OR SPECIFIED BY ABT IS NOT RECOMMENDED BY ACCELERATED BUILDING TECHNOLOGIES IS STRICTLY PROHIBITED AND WILL RESULT IN NULLIFICATION OF THE PROFESSIONAL ENGINEER'S SEAL AND ANY IMPAIRED SUPPORT BY ACCELERATED BUILDING TECHNOLOGIES DESIGN GROUP. COMPLETE AND DETAILED EVALUATION FOR PRODUCT SUITABILITY MUST BE ACCOMPLISHED BY OWNER'S ARCHITECT OR STRUCTURAL ENGINEER.

**ACCELERATED<sup>®</sup>**  
building technologies

A Dietrich Metal Framing | NOVIA Chemicals Joint Venture  
1550 Coraopolis Heights Road  
Moon Township, Pennsylvania  
Phone: 412-490-5037  
Fax: 412-490-5066

Revisions

REV	Description	DATE

**Project Information**


**Sheet Information**

5 1/2" PANEL LOAD BEARING WALL SECTION

DATE: 09/10/08

SCALE: 1/2"=1'-0"

DESIGNER: BPC

DRAWN BY: BPC

CHECKED BY: BPC

**SLB**